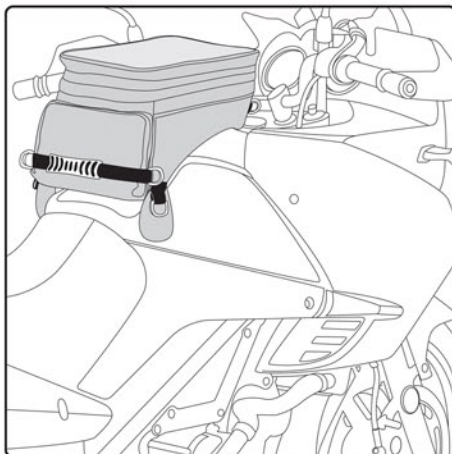
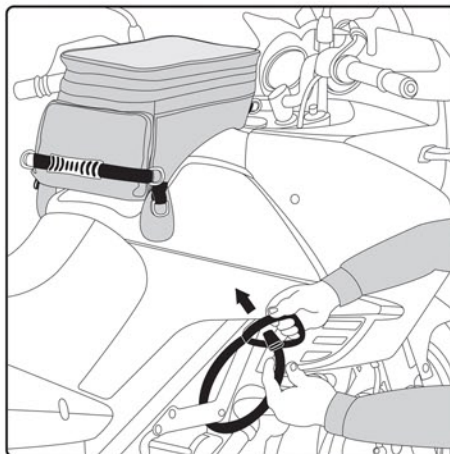


# Adventure Tank Bag Instructions

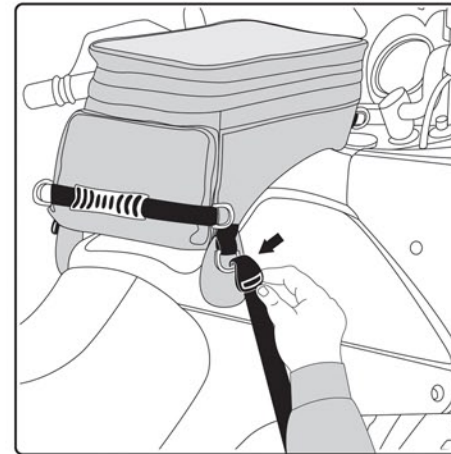
Please read instructions carefully before installation. We recommend this product be installed by a qualified, and experienced motorcycle technician. If you are unsure of any of the below directions and or your ability to correctly and securely install this product, please contact us or your local dealer for help. Below diagrams show typical installation, your motorcycle may be different so please use diagrams as a guide. Make sure your motorcycle is clean and free from dirt, road grime etc. where the Nelson-Rigg® luggage mounts.



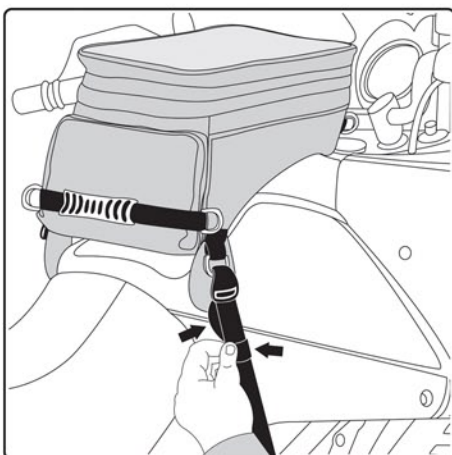
Position bag on tank of the motorcycle making sure bag is centered and free from all moving and hot parts. Always store heavier items in the bottom of the bag for better weight distribution and balance.



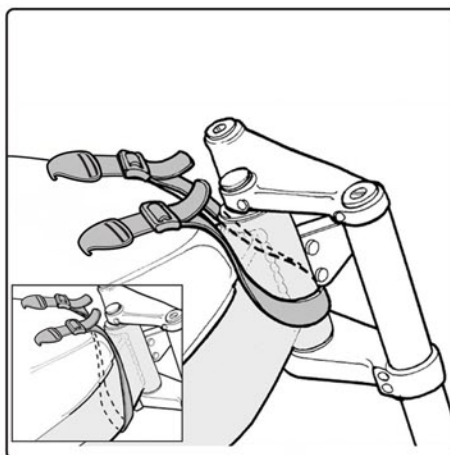
To secure the rear of the bag, take the strap with plastic hook on one side and loop on the opposite side, hook the loop around foot-peg or similar solid bike part or pass the loop around a part of the frame or similar bike part, then push the plastic hook through the loop creating a noose and pull to securely attach, as per the above images.



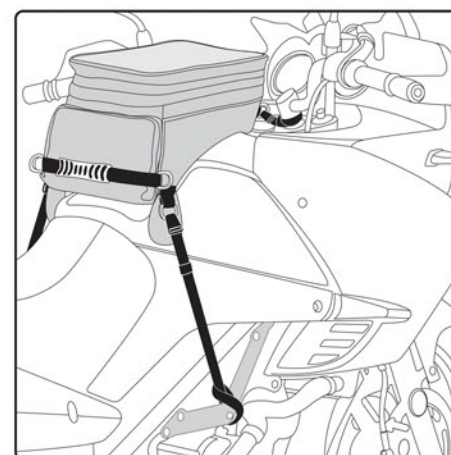
Attach the plastic buckle to one of the "D" rings on the tank bag. When attached properly, you should hear a snap ensuring proper placement and connectivity.



Once secure pull the strap snug ensuring that the bag is resting on a flat surface and has VERY little or no movement. Any extra strap can be folded and tucked inside the provided elastic webbing loop, as shown in above image.



Using the strap with 2 hooks on either end, clip one side to a "D" ring on the front of tankbag. Loop opposite side around the frame or steering head behind the triple clamp making sure the strap is free of steering stops and any cable or hoses. Clip remaining hook onto the other "D" ring and adjust the strap length.



Before operating your motorcycle, double check that the bag and all straps are free from any moving parts or surfaces that may get hot during operation. It's always good practice to recheck all mounting points, stability and condition of the bag and the mounting system before and during stops on each ride.

## Warning:

Read the installation instructions and make yourself familiar with the process of installing the Nelson-Rigg® product(s) on your bike. It is your responsibility to mount the product correctly and securely as outlined in these instructions. Nelson-Rigg® products are intended for use at USA street legal speeds as posted by the individual States. Nelson-Rigg® luggage must not be overloaded. Max carrying capacity is 10 lbs per bag or the maximum load suggested by the manufacturer of the vehicle, whichever is less.

Failure to adhere to these warnings may result in, but not be limited to: the luggage becoming detached, the product becoming tangled in moving parts of the vehicle, unstable vehicle dynamics, reduction in the ability to control the vehicle. The result(s) of could lead to serious injury.

**Always ride safely, adhering to the local highway regulations. Always wear a helmet and protective apparel.**

3518-A Lake Center Dr Santa Ana, CA 92704  
Tel (714)850-1811 Fax (714)850-1848  
e-mail: [info@nelsonrigg.com](mailto:info@nelsonrigg.com) [www.nelsonrigg.com](http://www.nelsonrigg.com)

