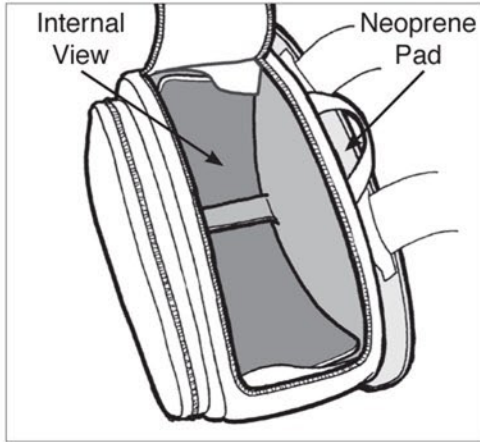
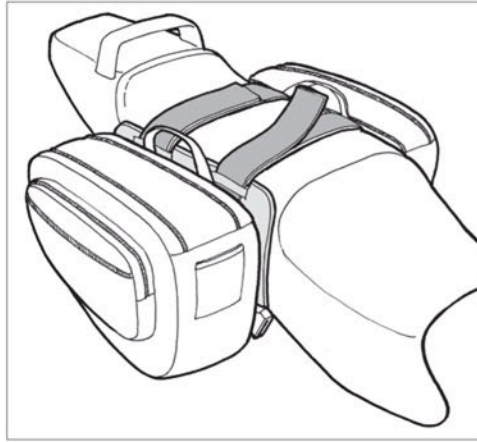


Installation instructions for Nelson-Rigg® Saddlebags CL-850,900,950,1000 SSC-140 & 150 SLR-30 & SLR-40

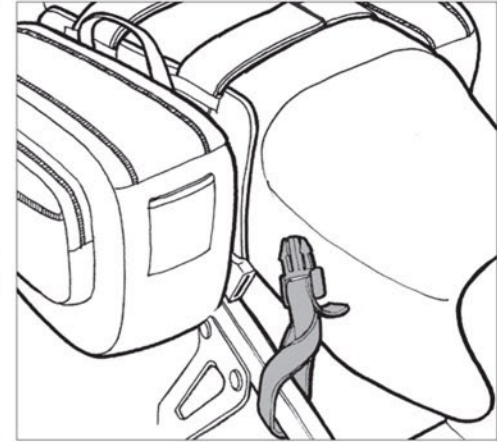
Read instructions carefully before installation. If you have any questions or something is unclear, please contact us or your dealer for clarification. Make sure your motorcycle is clean and free from dirt, road grime etc. where the Nelson-Rigg® luggage mounts.



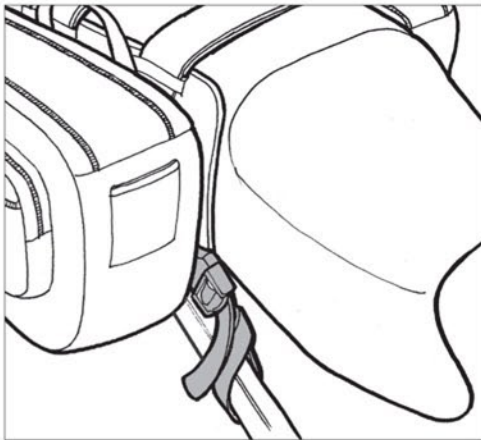
Insert the plastic Saddlebag stiffener under loops in the bag. Loops in some styles vary in location. Tuck the two top edges under the "pockets" just inside of the opening. Stiffener may seem long, just push stiffener into bottom of bag.



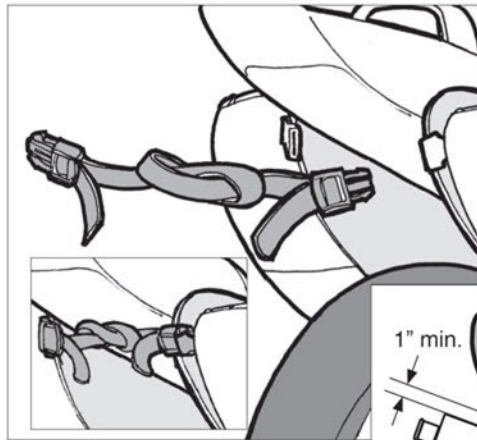
Connect Velcro® straps on each bag together as shown and position over, or if your bike allows, under the seat. Adjust these straps to determine the height of the bags. Further adjustment may be necessary once bags are loaded to ensure they do not come into contact with your exhaust (see diagram below) or moving bike part.



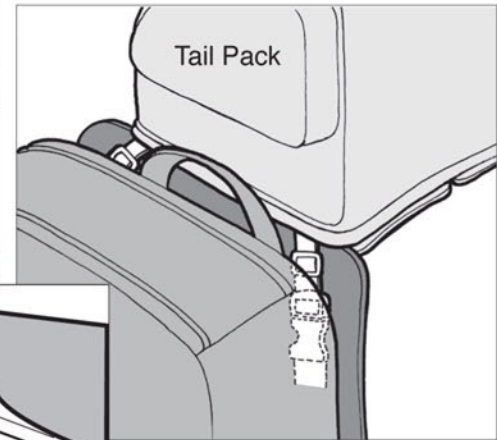
Using the strap with buckle on one side and loop on the opposite side, hook it or loop it around the frame, foot peg or secure body part and then back into the clip on the bag. It might be necessary to pass the buckle through the loop creating a noose to attach it around the frame or secure body part.



Re-attach strap to bag and adjust to fit. This strap does not need to be overtightened as the side straps mainly hold the bags against the bike only and when installed correctly, do not come under heavy load.



Depending on your bike's configuration, you may have to connect the two bags together with the side straps as shown. Position straps under the fender or licence plate bracket. Do not overtighten. Check the bags from the rear of bike to make sure they are not angled in or out. Bags should be as vertical as possible.



The saddlebags should be positioned with a minimum of 1" clearance above exhaust pipe (see diagram above/left). Although bottoms of bags have an aluminized heat shield, it will not protect from direct contact with your hot exhaust. When attaching bags to our Tail Pack utilize the buckle straps between the bags and neoprene pad.

Warning:

Read the installation instructions and make yourself familiar with the process of installing the Nelson-Rigg® product(s) on your bike. It is your responsibility to mount the product correctly and securely as outlined in these instructions. Nelson-Rigg® products are intended for use at USA street legal speeds as posted by the individual States. Nelson-Rigg® luggage must not be overloaded. Max carrying capacity is 10 lbs per bag or the maximum load suggested by the manufacturer of the vehicle, whichever is less.

Failure to adhere to these warnings may result in, but not be limited to: the luggage becoming detached, the product becoming tangled in moving parts of the vehicle, unstable vehicle dynamics, reduction in the ability to control the vehicle. The result(s) could lead to serious injury.

Always ride safely, adhering to the local highway regulations. Always wear a helmet and protective apparel.

www.nelsonrigg.com

it's not just a bike®



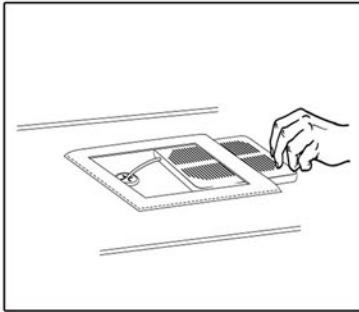
Installation instructions for Nelson-Rigg® Solar Charging system: SLR-30 and SLR-40

Read instructions carefully before installation. If you have any questions or something is unclear, please contact us or your dealer for clarification. Make sure your motorcycle is clean and free from dirt, road grime etc. where the Nelson-Rigg® luggage mounts.

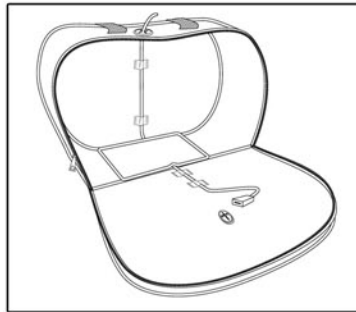
How it works:

For the best results, place the bag in direct sunlight with the solar panel angled towards the sun. The blue light indicators will flash indicating that battery is being trickle charged. When all 5 lights stay lit, the battery is fully charged. Using just the solar panel and direct sunlight in good conditions to fully charge the battery when completely empty can take 5 - 6 hours.

It is recommended to fully charge the battery pack prior to travel via either sunlight using the solar panel, a USB connection to a computer or optional AC adaptor. Once charged, connect the solar panel to the battery to help maintain the charge and trickle charge the battery back to full power if used while on the road. The battery will store its power until needed to charge a connected device. You can keep the battery connected to the solar panel when in direct sunlight without the risk of overcharging or losing any charge. Any obstructions such as dirt and scratches on the solar panels will restrict the amount of light absorbed by the panel and reduce the speed of power generated thus slowing the charge time.



Install the solar panel into the solar pocket located on the top of the bag first making sure that you pass the charging cord through the rubber grommet into the main compartment of the bag.

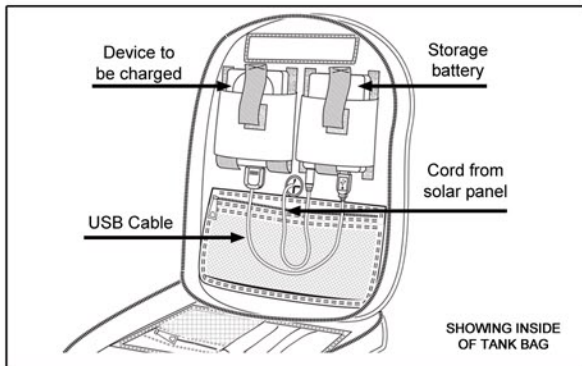


Once the solar charging cord is inside the saddlebag, pass through the elastic loops as shown until the end reaches the grommet entering the pocket that holds the battery and your device.



Once the solar panel is installed, plug the cable into the "IN" port of the battery. Then connect the USB side of the supplied cable to the "OUT" port on the battery pack. Then select the connector for your device and insert to the opposite side of the USB cable then into your device.

INSIDE THE SOLAR POCKET



How to Charge your device:

Once your device is connected to the USB cable and the battery, push the button on the charged battery and the lights will come on instantly and your device will begin charging. Once your device is fully charged the battery lights will turn off. You also do not need the solar panel connected to a charged battery in order to charge your device. The solar panel will charge the battery better and faster if there is not a device connected to it and using the battery power at the same time. Once battery is charged it will have the ability to fully charge a device such as a cell phone up to 3 times depending on the type of phone before needing to recharge the supplied battery pack. Charging times vary per device.

• Solar Panel	2.5 W
• Battery Type	Lithium-ion Cell
• Capacity	12.58WH (3400mAh)
• Output Voltage	DC 5.5V
• Output Current	700mA max.
• Charging Mode	USB or USB AC adaptor
• Charge Time	6 hours
• Operating Temp	0°C - 45°C
• Storage Temp	-20°C - 45°C (3 months)
• Dimensions	100mm x 62mm x 16.4mm
• Weight	130g
• Cycle Life	At least 300 times

If you have a car charger for your phone or device, you can use our optional car charger adaptor shown here. Simply plug in your devices car charger and charge as normal. This is a great option if your device is not supported but the connectors or if your device will not charge even with the correct adaptor. This is usually because some manufacturers program their devices to only work with factory approved chargers. If so you can use the manufacturers supplied car charger with our car charger adaptor.



*Battery not able to charge a laptop

*Do not allow the panel or battery to get wet.

*Do not use any device adaptors or connectors other than supplied by Nelson-Rigg

www.nelsonrigg.com

it's not just a bike®

