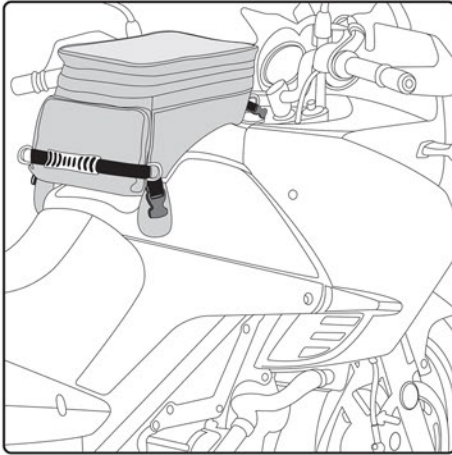
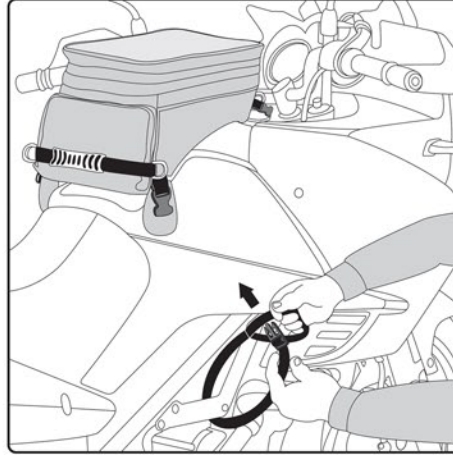


RG-1045 Trails End Tank Bag Mounting Instructions

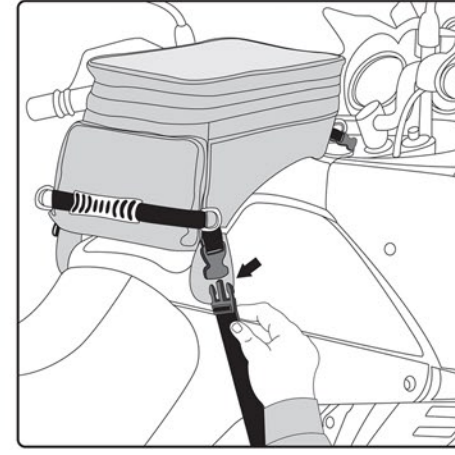
Please read instructions carefully before installation. We recommend this product be installed by a qualified, and experienced technician. If you are unsure of any of the below directions and or your ability to correctly and securely install this product, please contact us or your local dealer for help. Below diagrams show typical installation, your vehicle may be different so please use diagrams as a guide. Make sure your vehicle is clean and free from dirt, road grime etc. where the this product mounts. It is the riders responsibility to make sure the product is mounted and secure before each use. Loading the bag may result in a change of position, always check for proper mounting position after loading and before each and every ride.



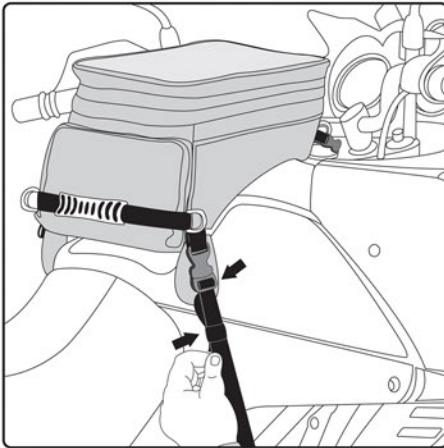
Position bag on tank of the motorcycle making sure bag is centered and free from all moving and hot parts. Always store heavier items in the bottom of the bag for better weight distribution and balance.



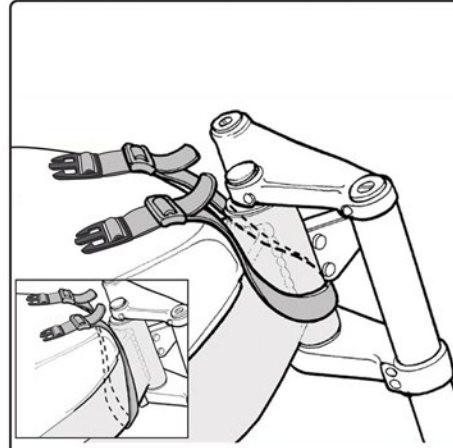
To secure the rear of the bag take the strap with male section of plastic buckle on one side and loop on the opposite side, pass the loop around a part of the frame or other solid bike part, then push the plastic buckle through the loop creating a noose.



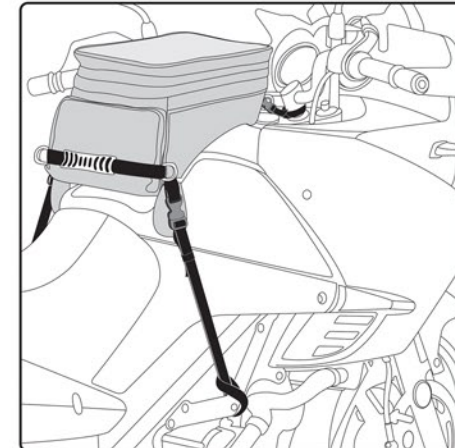
Attach the male section of the buckle to the female section on each side of the rear of the bag. A "click" will be heard when the components are pushed together correctly.



Tighten straps sufficiently to remove all slack. Final tensioning will be done after front strap is installed. Fold slack ends of straps and secure by passing through elastic webbing loop on each strap.



Using the strap with 2 male buckles on either end, connect one side to a female buckle on the front of tank bag. Loop opposite side around the frame or steering head behind the triple clamp making sure the strap is free of steering stops and any cable or hoses. Clip remaining male buckle onto the other female buckle and adjust the strap length.



Before operating your motorcycle, double check that the bag and all straps are free from any moving parts or surfaces that may get hot during operation. It's always good practice to recheck all mounting points, stability and condition of the bag and the mounting system before and during stops on each ride.

Warning

Read the installation instructions and make yourself familiar with the process of installing the Rigg Gear product(s) on your vehicle. It is your responsibility to install the product(s) correctly and securely as outlined in these instructions. Rigg Gear products must not be overloaded or over tightened. Failure to adhere to these warnings may result in, but not limited to, the product becoming detached, becoming tangled in moving parts of the vehicle, unstable vehicle dynamics, reduction in the ability to control the vehicle. The result(s) could lead to serious injury.

Always drive safely. Always wear a helmet and protective apparel.

3518-A Lake Center Dr Santa Ana, CA 92704
Tel (714)850-1811 Fax (714)850-1848
e-mail: info@RiggGear.com www.RiggGear.com

RIGG GEAR
ADVENTURE